

О компании

Лидирующая компания по производству строительной техники. Выпускают целую линейку гидромолотов. Их продукция имеет разные размеры и мощности.

Продукция

**DNB Hydraulic Breaker
Dynamic D500II_s**

since 1986 - DNB
D500II_s
★★★★★
WORLD RECORD

*Super-Size Attachment Geared at
140-Ton-Class Excavators*

The DNB has over 27 years market history with exports to 30 countries at present and operating logistics warehouses in Canada and the Netherlands.

Powerful !

- Certified outstanding power
- Consistent impact power
- Highest productivity

Efficient !

- Simple and easy maintenance
- Convenient installation on all kinds of excavators

Durable !

- Excellent durability
- Energy efficient
- Low vibration, low noise

Reliable !

- Fast delivery of replacement parts
- Reliable A/S backup system
- Low A/S rate

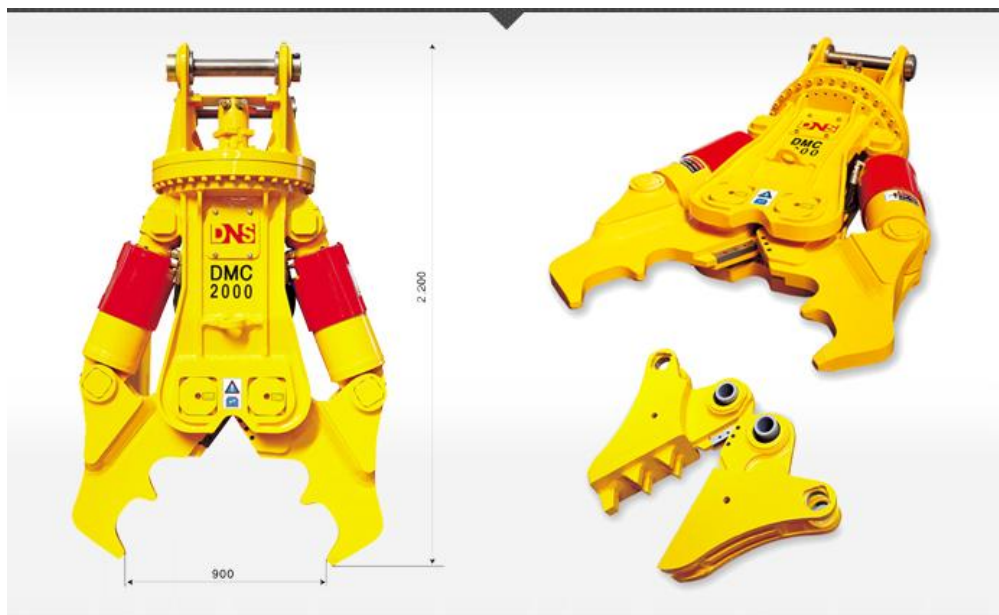


> DNB BREAKER SPECIFICATIONS

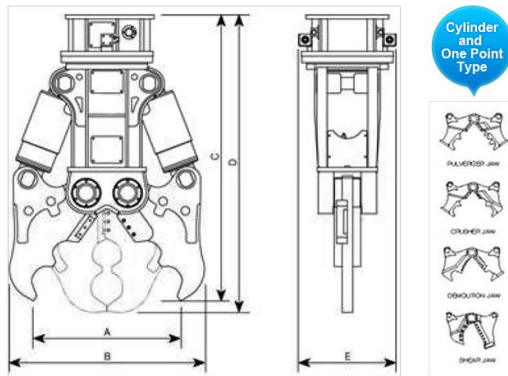
ITEM / MODEL		D10lbs	D20lbs	D25lbs	D30lbs	D40lbs	D55lbs	D60lbs	D65lbs
OPERATING WEIGHT	kg	75	100	200	300	520	855	1050	1350
IMPACT RATE	BPM	900-1200	900-1200	550-1100	500-1000	400-700	350-550	350-500	350-500
IMPACT ENERGY	J	300	300	580	1000	1400	2000	2200	3700
OPERATING OIL FLOW	LPM	15-20	15-25	25-50	45-80	60-90	80-110	70-110	80-130
OPERATING PRESSURE	Bar	100-120	100-120	120-140	120-140	135-150	140-160	140±5	140±5
CARRIER WEIGHT	Ton	0.5-1.3	0.8-3	1.3-5	3.5-8	6-12	13-20	16-20	16-25
TOOL DIAMETER	mm	38	45	60	75	90	100	115	120

ITEM / MODEL		D70lbs	D90lbs	D110lbs	D130lbs	D160lbs	D200lbs	D300lbs	D500lbs
OPERATING WEIGHT	kg	1660	1860	2250	2600	3300	3800	6500	12900
IMPACT RATE	BPM	350-500	350-500	360-520	320-420	300-400	250-350	250-350	200-300
IMPACT ENERGY	J	4300	4400	5800	6920	9100	10500	12500	19500
OPERATING OIL FLOW	LPM	120-160	120-160	160-230	170-240	190-250	220-350	250-400	300-450
OPERATING PRESSURE	Bar	140±5	140±5	140±5	145±5	155±5	155±5	160±5	160-180
CARRIER WEIGHT	Ton	18-30	18-30	25-40	30-55	40-60	45-80	60-90	80-140
TOOL DIAMETER	mm	130	130	140	155	170	180	195	235

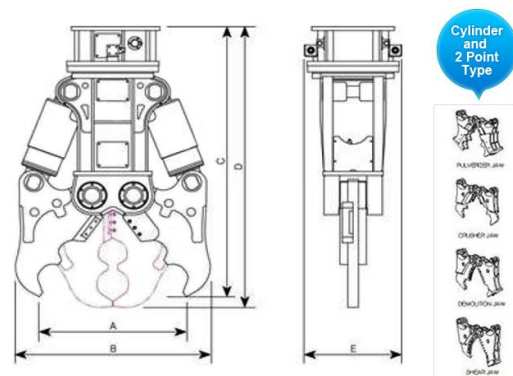
Дробильная установка



▶ Multi Processor Series -1



▶ Multi Processor Series -2



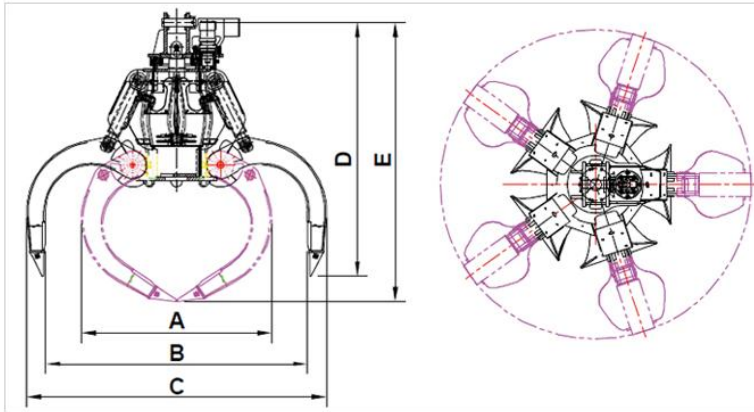
2 Cylinder 1 Point Type		DMP52000II	DMPC2000II	DMPD2000II	DMPP2000II
Weight	kg	1760	1680	1760	1760
Total Length	mm	2072	1942	1956	2024
Jaw opening	mm	522	886	915	890
Force of Mid	ton	127	108	127	108
Working pressure	kg/cm2	300			
Oil Flow	LPM	200~250			
Excavator	ton	18~26			
Motor setting pressure	kg/cm2	160			
Motor Oil Flow	LPM	36~40			
Turning Speed	RPM	13~15			

2 Cylinder 1 Point Type		DMP53000II	DMPC3000II	DMPD3000II	DMPP3000II
Weight	kg	2900	2750	2900	2900
Total Length	mm	2750	2660	2745	2745
Jaw opening	mm	603	1163	1026	968
Force of Mid	ton	205	175	205	175
Working pressure	kg/cm2	320			
Oil Flow	LPM	250~300			
Excavator	ton	26~32			
Motor setting pressure	kg/cm2	160			
Motor Oil Flow	LPM	36~40			
Turning Speed	RPM	13~15			

Orange Grab



Orange Grab



Tine
- Type

